

Distributed by



BEING COMPETITIVE IS IN OUR DNA

From the Pramac Racing Team to the production of material handling equipment and power generating sets, Pramac is always ahead of the competition. Quality, innovation and reliability are our key drivers to satisfy customers. Be our partner, join the Energy Generation!



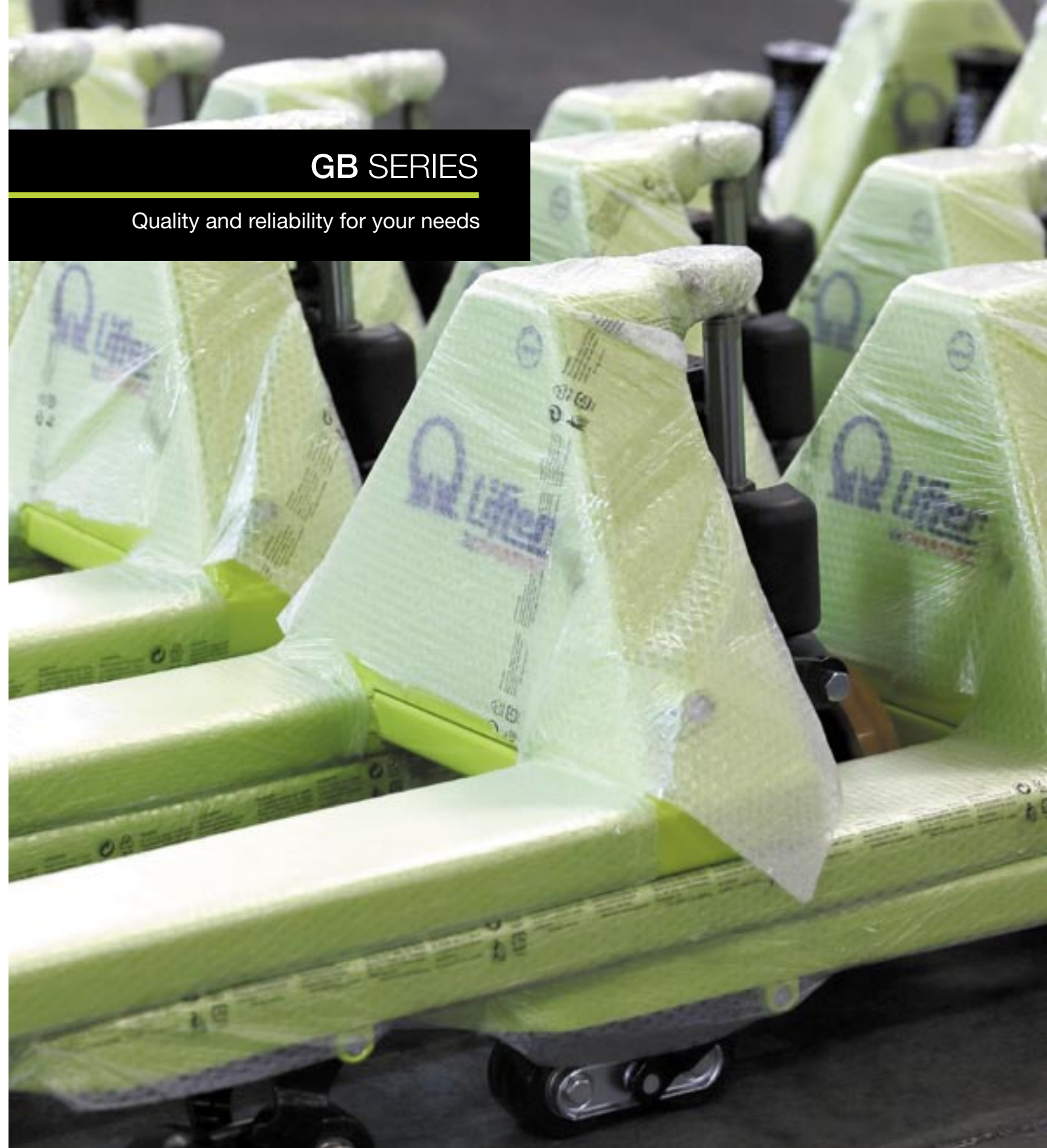
PR INDUSTRIAL Srl - Località Il Piano 53031 Casole d'Elsa (SI) - Tel. +39 0577 9651, Fax: +39 0577 949076 - info@pramac.com - www.pramac.com

Worldwide Service & Parts Online Center: www.pramacparts.com



GB SERIES

Quality and reliability for your needs



GB SERIES

Quality and reliability for your needs

Lifter is a leading supplier of competitive materials handling product, recognised internationally for its quality and performance.

The GB Series is our new range of hand pallet trucks offering a very competitive and reliable solution for lifting and moving operations. Thanks to their smooth movement and manoeuvrability, all the GB models are the ideal working tool for use on any kind of surface.

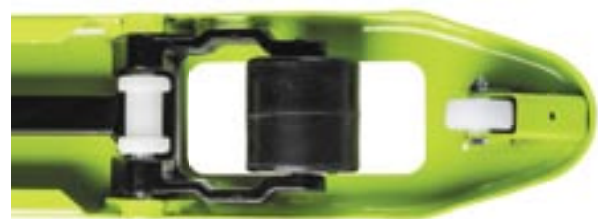
GB SERIES

Advantages of the GB Series



Handle

All the controls (lowering/neutral/lifting) are available in a single lever for simple and safe control. Ergonomic and rubber covered handle increase the operator comfort (optional).



Entry/Exit rollers

Additional nylon rollers at the fork tip assist with pallet entry and exit.

GB SERIES

Main features

- European design and quality production process
- Robotic welding process and dedicated assembly line
- Specific painting system with epoxy-polyester powder coating process
- Wide range of fork sizes
- Single/tandem roller option available
- Many steering wheel options available: rubber-aluminium, polyurethane-nylon, polyurethane-cast iron, white nylon
- Quick lift version available: number of pumping actions to reach maximum fork height reduced to 5, with load below 150 kg



Hydraulic unit

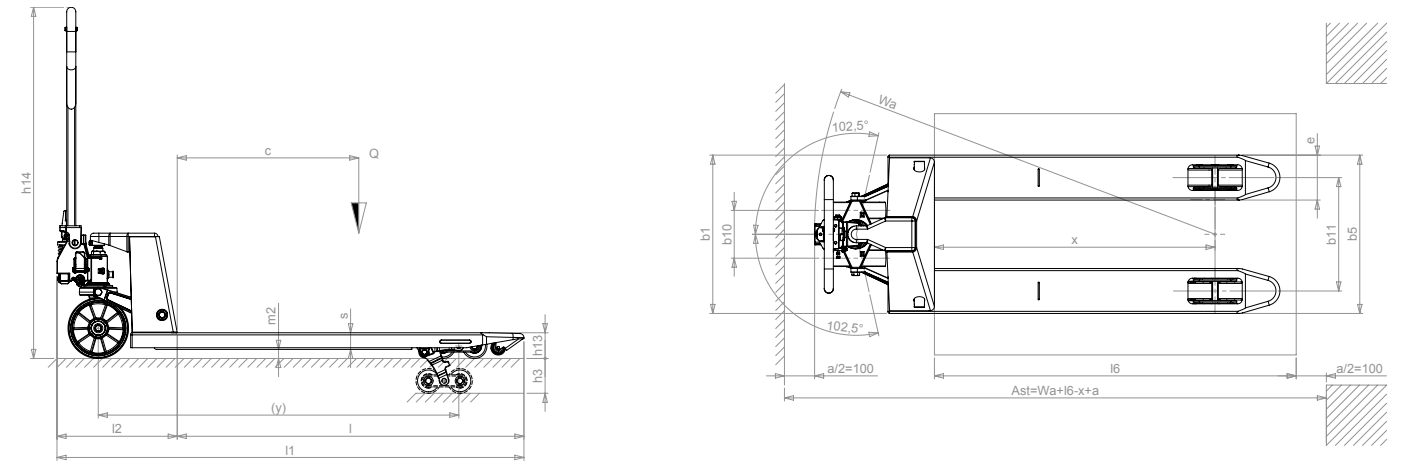
A very strong cast iron frame has a robust layout, integrating the whole pump structure, with tank included. Overloads are prevented thanks to a preset maximum pressure valve. A 100% production test ensures a high quality level. Available also with zinc coating treatment.

DESCRIPTION					
1.2	MODEL		GB PRO 25 S2-S4	GB PRO 30S4	GB USA 25 S2-S4
1.3	DRIVE		MANUAL	MANUAL	MANUAL
1.4	OPERATOR TYPE		PEDESTRIAN	PEDESTRIAN	PEDESTRIAN
1.5	LOAD CAPACITY	Q kg	2500	3000	2500
1.6	LOAD CENTRE DISTANCE	c mm	600	600	457
1.8	LOAD DISTANCE, CENTRE OF DRIVE AXLE TO FORK	x mm	932	932	700
1.9	WHEEL BASE	y mm	1192	1192	957
WEIGHTS					
2.1	SERVICE WEIGHT	kg	63-65	79	61-63
2.2	AXLE LOAD LADEN, FRONT/REAR	kg	769/1794-1796	889/2190	655/1606-1608
2.3	AXLE LOAD UNLADEN, FRONT/REAR	kg	44/19-21	53/26	42/19-21
TYRES/CHASSIS					
3.1	TYRES		P/N	P/N	P/N
3.2	TYRE SIZE, FRONT (Ø x width)		200x55	200x55	200x55
3.3	TYRE SIZE, REAR (Ø x width)		82x82-60	82x60	78x82
3.4	SIDE WHEELS (Ø x width)		-	-	-
3.5	WHEELS, NUMBER (x=DRIVEN) FRONT/REAR		2/2-2/4	2/4	2/2-2/4
3.6	TREAD, FRONT	b10 mm	155	155	155
3.7	TREAD, REAR	b11 mm	375	375	375
DIMENSIONS					
4.4	LIFT	h3 mm	115	115	115
4.9	HEIGHT OF TILLER IN DRIVE POSITION MIN/MAX	h14 mm	650/1230	650/1230	690/1160
4.15	HEIGHT, LOWERED	h13 mm	85	85	78
4.19	OVERALL LENGTH	l1 mm	1550	1550	1314
4.20	LENGTH TO FACE OF FORKS	l2 mm	400	400	400
4.21	OVERALL WIDTH	b1 mm	525	525	525
4.22	FORK DIMENSIONS	s/e/l mm	55/150/1150	55/150/1150	55/150/915
4.25	DISTANCE BETWEEN FORK ARMS	b5 mm	525	525	525
4.32	GROUND CLEARANCE, CENTRE OF WHEEL BASE	m2 mm	30	30	30
4.33	AISLE WIDTH FOR PALLET'S 800x1200 LENGTHWISE	Ast mm	1835	1835	1833
4.35	TURNING RADIUS	Wa mm	1367	1367	1133
PERFORMANCE DATA					
5.2	LIFT SPEED, LADEN/UNLADEN	strokes	13/13	13/13	13/13
5.3	LOWERING SPEED, LADEN/UNLADEN	m/s	0,05/0,02	0,05/0,02	0,05/0,02

GB/BASIC available with fork sizes: 1150x525, 1000x525, 800x525, 1000x685

GB/PRO available with fork size: 1150x525, 1000x525, 950x525, 800x525, 600x525, 1220x525, 1350x525, 1500x525, 1800x525, 2000x525, 800x400, 1000x685, 1150x685, 1220x685

GB/PRO USA available with fork size: 36"x20" (915x525), 42"x20" (1067x525), 48"x20" (1220x525), 36"x27" (915x685), 42"x27" (1067x685), 48"x27" (1220x685)



GB SERIES

